

How to Select the Proper Pin for Your Application

by Christie Jones, VP - Director of Marketing
SPIROL International Corporation

Fasteners are some of the most important parts of an assembly as they hold the entire assembly together and facilitate the interaction between the individual components. Ideally, the selected fasteners are simple to assemble, provide a quality product for the intended lifetime of the assembly, and yield the overall lowest cost of the assembly taking into account the entire manufacturing process. This article focuses on how to select the proper pin for an application. Specifically, press fit pins are discussed here as they are the most common types of pins used in modern manufacturing.

PRESS FIT PIN TYPES

Among press fit pins, there are two general categories: Solid Pins and Spring Pins. Solid Pins can have a smooth, uninterrupted surface (such as dowels) or they may be designed with retention features such as knurls and barbs. All Solid Pins are retained by displacing/deforming the host material. Conversely, Spring Pins retain themselves by exerting a radial force (tension) against the hole wall after installation. There are two different types of Spring Pins: Slotted Pins and Coiled Pins. Slotted Spring Pins are general purpose, low cost pins typically recommended for non-critical assemblies. Oftentimes, Slotted Pins are used in applications where they are manually installed into mild to hardened steel components. Slotted Pins have a gap designed for the pin to flex during installation allowing the pin to absorb varying hole tolerance. Coiled Spring Pins are available in light, standard, and heavy duty to enable the designer to choose the optimum combination of strength, flexibility, and diameter suited for varying host materials and performance requirements. Coiled Pins have 2 1/4 coils of material that enable the pin to flex both during installation to accommodate varying hole tolerance and after installation to dampen shock and vibration to prevent hole damage.



APPLICATION EVALUATION

The first step in selecting a pin is evaluating the application. These are some of the many considerations when determining the proper pin for a specific application:

- What is the pin's function?
- What are the strength requirements of the pin?
- What is the material of the component in which the pin will be used?
- What environment will the pin be exposed to?
- What is the intended product lifetime and number of cycles?
- How will the pin be installed?
- What is the expected volume?

Designers should thoroughly examine the application and performance requirements early in the design stage. Not only will this guide facilitate decisions about the design of the host component(s), but it will also cover the topics of fastener selection, fastener size, material, duty, etc. Unfortunately, many designers wait until the end of the design to select a fastener. This can constrict the fastener selection process, limit performance, and force suppliers to use high-cost manufacturing processes to meet overly complicated specifications. It is recommended that manufacturers consult with pinning technical experts during

the early stages of a new design so that the proper pin is selected and the appropriate specifications are applied to the mating components for the application.

COMMON PIN FUNCTIONS

While there are many different ways to use pins, the most common are shown in *Table 1*. These guidelines apply the majority of the time, but each specific application should be evaluated for final determination of which pin type is most appropriate.

| TYPICAL PIN FUNCTIONS | | | |
|-----------------------|------------|-------------|-----------|
| | Coiled Pin | Slotted Pin | Solid Pin |
| Hinge (free fit) | • | • | • |
| Hinge (friction fit) | • | | |
| Hub/shaft | • | • | • |
| Alignment | • | • | • |
| Stop | • | • | • |
| Joining | • | • | • |
| Serviceable | • | • | |

Table 1

Hinge

There are two primary types of hinges:

1. A free fit hinge has little to no friction or drag when the latch or handle is rotated. Hinge components are “free” to rotate independent of one another.
2. A friction fit hinge requires interference to prevent free rotation of components relative to one another. Depending on design intent, resistance can vary from a slight drag to a value sufficient to maintain the fixed position of components anywhere in their full range of rotation.

All types of press fit pins should be considered when designing a free fit hinge. Solid Pins are often preferred when the pin must travel through multiple clearance holes or when there is limited engagement area in the host component. Coiled Pins are preferred when there is no axial load on the pin and for applications with shock and vibration. Slotted Pins are preferred when cost is paramount (typically at the expense of quality) and performance is sufficient. In general, Coiled Pins are preferred for friction fit hinges because they provide uniform radial tension that creates a “resistance” feel in the hinge. Additionally, Coiled Pins are far more flexible than Slotted Pins or Solid Pins, thereby reducing the risk of damage to the holes during installation and normal product usage.

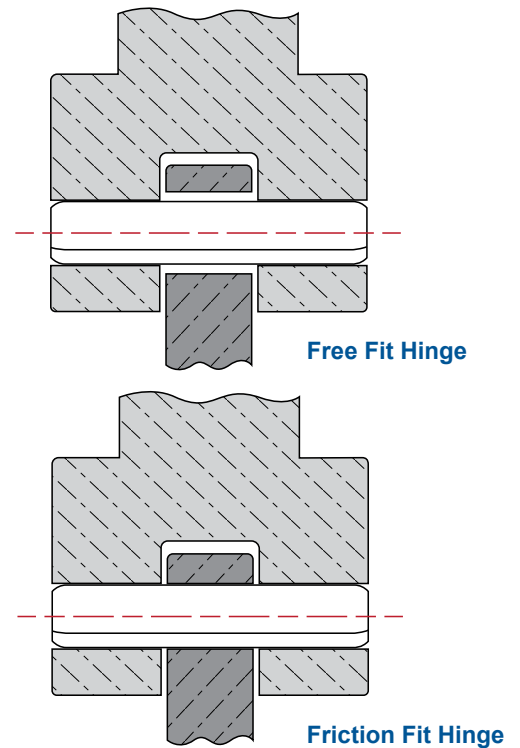
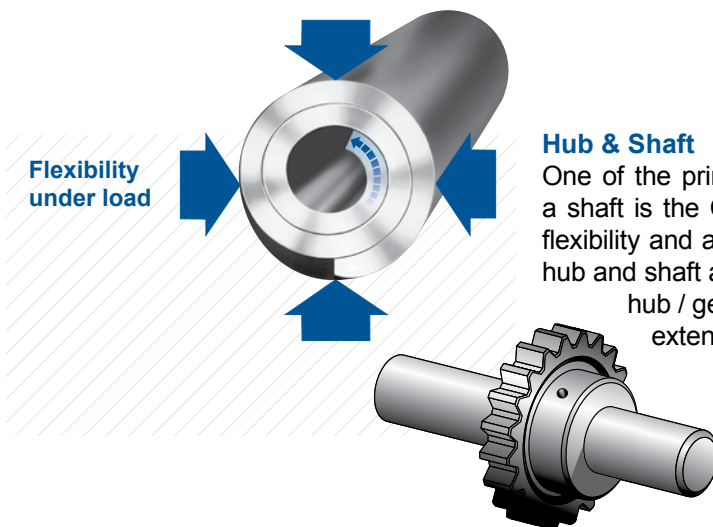


Figure 1



Hub & Shaft

One of the primary benefits of using a Coiled Pin to affix a collar or hub to a shaft is the Coiled Pin's ability to prevent hole damage. The Coiled Pin's flexibility and ability to effectively absorb forces make it the ideal pin for most hub and shaft applications. While all three types of pins can be used to affix a hub / gear to a shaft, the Coiled Pin provides superior performance and extends the lifetime of the assembly compared to the other pins.

Locating / Alignment

The desired level of precision dictates which pin is appropriate. Coiled Pins are preferred for the vast majority of alignment applications because they conform to the holes in which they are installed and remain flexible. Therefore, maximum accuracy in alignment can be achieved with a “light” press to seat mating components. Light duty Coiled Pins are especially advantageous for low insertion forces. Wider hole tolerances can be used with Coiled Pins, which reduces the total manufacturing cost of the product. However, the more precision required, the tighter the hole tolerances need to be controlled in each component and in relation to each other.

Ground Dowels are preferred for highly critical alignment applications. Unlike Spring Pins, Solid Dowels rely on material displacement between the pin and the host components for the press fit. This requires a considerably higher installation force than either Spring Pin and requires that the holes to be precision machined, which increases cycle time and manufacturing costs.



Stop

Coiled Pins, Slotted Pins, and Solid Pins are all commonly used to stop the movement of one component relative to another. For example, Coiled Pins are often used to prevent over-rotation of an actuator. When Slotted Pins are used for this purpose, it is recommended that the pin's slot is oriented opposite from the component interacting with the pin. Conversely, Coiled Pins and Solid Pins do not need to be oriented. Additionally, when Spring Pins are used as a stop pin, at least 60% of the pin's length must be retained in the static component to ensure retention as shown in *Figure 2*.

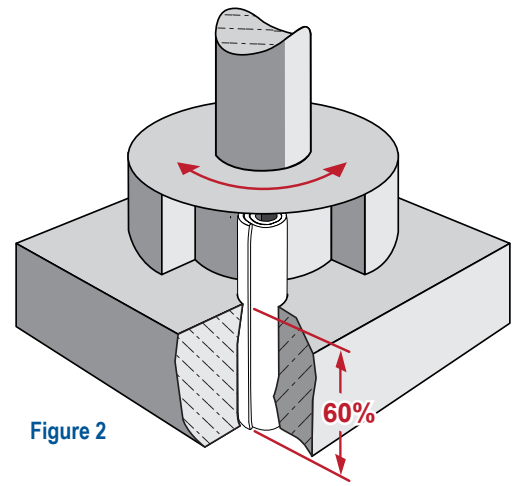


Figure 2

Joining / Retention

Coiled Pins, Slotted Pins, and Solid Pins are also commonly used to join components together. Coiled Pins and Slotted Pins hold components together with the frictional force generated from the radial tension of the pin. Coiled Pins and Slotted Pins are serviceable in the same hole.

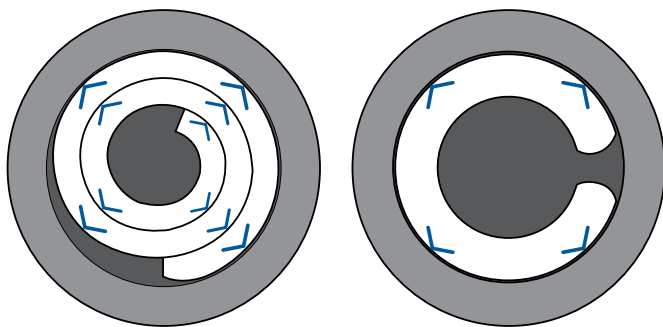


Figure 3: Radial tension in Coiled Pins and Slotted Pins

Solid Pins provide superior retention when an axial load is applied and are not removable / serviceable. This is advantageous when designers do not want users to disassemble their product. For the vast majority of retention applications, external features like knurls or barbs are preferred over ground solid dowels because they often provide cost savings.

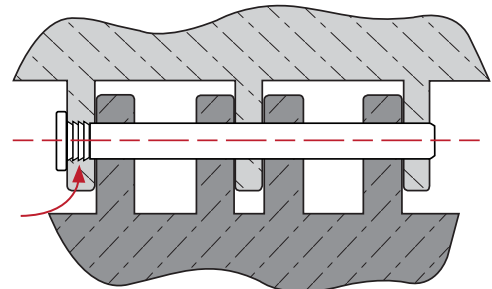


Figure 4: Barbs retain this Solid Pin within plastic component

FEATURES, ADVANTAGES, BENEFITS

Each type of press fit pin serves a purpose for manufacturers. *Table 2* compares the common features, advantages, and benefits for each type of pin.

| COMMON FEATURES, ADVANTAGES, AND BENEFITS | | | |
|--|------------|-------------|-----------|
| | Coiled Pin | Slotted Pin | Solid Pin |
| Flexes to prevent hole damage during installation | • | • | |
| Allows for wide hole tolerances | • | • | |
| Superior combination of strength and flexibility | • | | |
| Superior performance in static applications | • | • | • |
| Superior performance in dynamic applications (absorbs shock loads) | • | | |
| Superior resistance to axial load (push out / pull out) | | | • |
| Tamper resistant | | | • |
| Performance in soft materials under static loading (aluminum, plastic, etc.) | • | | • |
| Provides positive stop / location | • | • | • |
| Lowest insertion force | • | | |
| Conducive to automatic feeding | • | • | • |
| Serviceable | • | • | |
| Appropriate for critical applications | • | | • |

Table 2

GENERAL CONSIDERATIONS FOR PIN SELECTION

Spring Pins are typically preferred over Solid Pins because of their flexibility, lower insertion forces, and their ability to accommodate wider hole tolerances. Here are several common exceptions where Solid Pins are preferred:

- When a head is required for a positive stop or to retain a thin member to a thicker member of the assembly.
- When a smooth, uninterrupted surface is required such as when used in conjunction with a pawl or other angular component.
- When a hollow pin is not suitable such as when the designer is looking to plug a hole (i.e. restrict passage of liquids).
- When there is a need to manually align several clearance holes.
- When increased bending or shear strength is required.
- When precise hole locations need to be maintained.

Coiled Spring Pins are undoubtedly superior when it comes to assemblies subject to dynamic loading. Coiled Spring Pins have a unique combination of strength and flexibility, which allows them to dampen forces and vibration that prevents hole damage and prolongs assembly life.

While Slotted Spring Pins are used in similar applications as Coiled Spring Pins, Slotted Pins are typically preferred in non-critical, static applications where cost is prioritized over product lifetime.

TESTING

It is prudent for manufacturers to perform testing with the fastener(s) that they have specified for the application to determine that the assembly performs as desired in the most extreme conditions. After testing is completed, engineers can compare measured test results with the performance requirements that were established. Ultimately, the proper pin for the application should satisfy the quality, performance, assembly, and cost goals of the manufacturer.

REEVALUATE PRODUCT DESIGN

The final step in selecting the proper pin is to reevaluate the overall product design. Oftentimes, the pin evaluation process identifies new information about the assembly. Many manufacturers see significant benefits when they stay flexible with their product design while the fastener is finalized. Here are some actual examples of design changes that lead to performance improvements, cost savings, and/or improved quality:

1. New host material

Example: A manufacturer changed the material of their plastic housing from polybutylene terephthalate (PBT) to polycarbonate (PC) after seeing improved retention when using barbed Solid Pins.

2. Hole size

Example: A company increased the hole size in their hub & shaft from $2.95 \pm 0.05\text{mm}$ to $3.05 \pm 0.05\text{mm}$ so that they could utilize a standard off-the-shelf Coiled Spring Pin.

3. Hole tolerance

Example: A company was able to eliminate a timely honing operation by using a Coiled Pin for alignment rather than a Ground Solid Dowel.

4. Boss thickness

Example: A plastic molder witnessed cracking during prototype testing of a plastic hinge. They implemented SPIROL's recommendation to increase the boss diameter surrounding the Solid Pin from 1mm to 3mm, which eliminated the cracking problem.

5. Hinge design change

Example: A plastic molder originally designed a friction fit hinge but was unable to achieve the high swing torque requirement overtime with a Solid Pin as the plastic would relax causing the hole diameter to open up. As a result, the swing torque would diminish due to the enlarged hole size. They replaced the Solid Pin with a Coiled Spring Pin and incorporated the associated design changes to the holes to meet the desired swing torque. The redesign resulted in the swing torque being maintained beyond the expected life of the assembly.

CONCLUSION

Designers can optimize the performance and total manufactured cost of a product by selecting the proper pin for their product. In order to do this, it's critical that fastener options are considered early in the design stages. The most important step in selecting the proper pin is to evaluate the application in detail and establish performance requirements. Finally, the design team should test and validate the fastener(s) in prototype assemblies before final approval is given.

Technical Centers

Americas **SPIROL International Corporation**
30 Rock Avenue
Danielson, Connecticut 06239 U.S.A.
Tel. +1 860 774 8571
Fax. +1 860 774 2048

SPIROL Shim Division
321 Remington Road
Stow, Ohio 44224 U.S.A.
Tel. +1 330 920 3655
Fax. +1 330 920 3659

SPIROL Canada
3103 St. Etienne Boulevard
Windsor, Ontario N8W 5B1 Canada
Tel. +1 519 974 3334
Fax. +1 519 974 6550

SPIROL Mexico
Avenida Avante #250
Parque Industrial Avante Apodaca
Apodaca, N.L. 66607 Mexico
Tel. +52 81 8385 4390
Fax. +52 81 8385 4391

SPIROL Brazil
Rua Mafalda Barnabé Soliane, 134
Comercial Vitória Martini, Distrito Industrial
CEP 13347-610, Indaiatuba, SP, Brazil
Tel. +55 19 3936 2701
Fax. +55 19 3936 7121

Europe **SPIROL United Kingdom**
17 Princewood Road
Corby, Northants
NN17 4ET United Kingdom
Tel: +44 (0) 1536 444800
Fax: +44 (0) 1536 203415

SPIROL France
Cité de l'Automobile ZAC Croix Blandin
18 Rue Léna Bernstein
51100 Reims, France
Tel: +33 (0) 3 26 36 31 42
Fax: +33 (0) 3 26 09 19 76

SPIROL Germany
Ottostr. 4
80333 Munich, Germany
Tel: +49 (0) 89 4 111 905 71
Fax: +49 (0) 89 4 111 905 72

SPIROL Spain
Plantes 3 i 4
Gran Via de Carles III, 84
08028, Barcelona, Spain
Tel/Fax: +34 932 71 64 28

SPIROL Czech Republic
Evropská 2588 / 33a
160 00 Prague 6-Dejvice
Czech Republic
Tel: +420 226 218 935

SPIROL Poland
ul. Solec 38 lok. 10
00-394, Warsaw, Poland
Tel. +48 510 039 345

Asia Pacific **SPIROL Asia Headquarters**
1st Floor, Building 22, Plot D9, District D
No. 122 HeDan Road
Wai Gao Qiao Free Trade Zone
Shanghai, China 200131
Tel: +86 (0) 21 5046-1451
Fax: +86 (0) 21 5046-1540

SPIROL Korea
16th Floor, 396 Seocho-daero,
Seocho-gu, Seoul, 06619, South Korea
Tel: +82 (0) 10 9429 1451

e-mail: info@spirol.com

SPIROL.com



Coiled Spring Pins



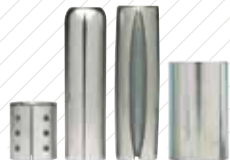
Slotted Spring Pins



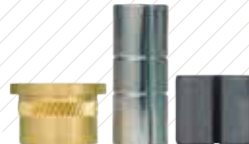
Solid Pins



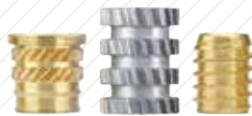
Alignment Dowels /
Bushings



Spacers & Rolled
Tubular Components



Compression
Limiters



Threaded Inserts
for Plastics



Railroad Nuts



Disc Springs



Precision Shims &
Thin Metal Stampings



Precision Washers



Parts Feeding
Technology



Pin Installation
Technology



Insert Installation
Technology



Compression Limiter
Installation Technology

Please refer to www.SPIROL.com for current specifications and standard product offerings.

SPIROL offers complimentary Application Engineering support! We will assist on new designs as well as help resolve issues, and recommend cost savings on existing designs. Let us help by visiting **Application Engineering Services** on **SPIROL.com**.