

# How to Maintain Joint Integrity When Converting from Metal to Plastic

by Christie L. Jones, Director of Marketing  
SPIROL International Corporation, Danielson, CT, U.S.A.



Inserts are available in a variety of shapes and sizes. The key is choosing an Insert that meets performance and assembly requirements.

The weakest sections of many plastic part designs are the joints and assembly points. During screw assembly of mating components, the screw has to be tightened with sufficient torque to produce the recommended axial tension load between the host component and the threads of the screw in order to prevent loosening. A common problem with bolted joints is that plastics are susceptible to creep or stress relaxation. Under loads well below the elastic limit, plastics will lose their ability to maintain a load. When this occurs, the threaded connection becomes loose.

Metal threaded Inserts significantly improve joint strength in plastic parts and are not themselves susceptible to creep. The larger body diameter and body design of the Insert allow the appropriate installation torque to be applied to the screw. These joints do not become loose over time since the brass provides permanent creep resistance for the entire load path of the thread. Additionally, the Inserts enable unlimited assembly/disassembly of the components without compromising the integrity of the threads. Ultimately, it is often the metal Insert that allows designers to replace cast or machined metal components with less expensive plastic without sacrificing performance.

Typical performance requirements for assemblies using Inserts involve tensile strength, rotational torque, and pull-through strength. Tensile strength, or pull-out, is the axial force required to pull the Insert out of the plastic material. Torque is the rotational force required to rotate the Insert in the plastic material. Finally, pull-through is a combination of rotational torque and tensile force applied opposite the head of the Insert (see Figure 1).

## The following factors affect Insert performance:

- Insert type, design, and quality of Insert features.
- Plastic specifications.
- Design and quality of the plastic components, including hole tolerance consistency.
- The installation process.

Start with the performance requirements of the assembly, and then select the appropriate Insert. The objective is to choose an Insert with sufficient torque resistance to accommodate the tightening torque necessary to achieve sufficient axial tension load on the threaded joint to keep it together and prevent

## INSERT PERFORMANCE TERMINOLOGY

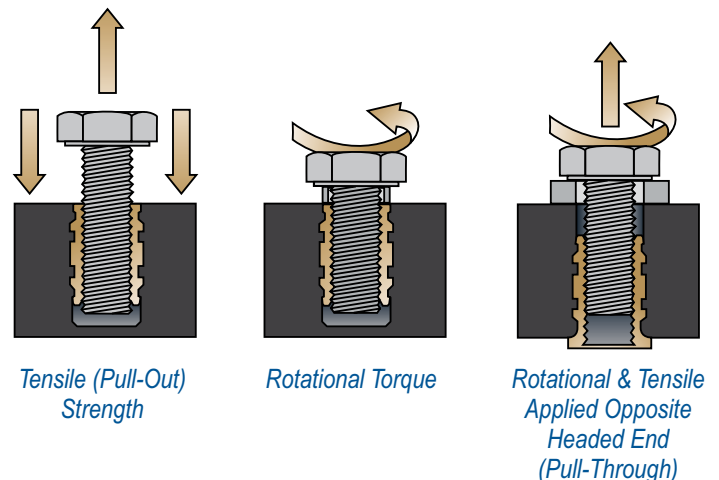


Figure 1. Typical performance requirements for Inserts involve tensile strength, rotational torque, and pull-through strength.

loosening, while also achieving pull-out values necessary for the load conditions that the Insert will be exposed to while in service. In general, resistance to torque is a function of Insert diameter, and resistance to pull-out is a function of Insert length.

## HOW THEY ARE INSTALLED

There are many different styles of Inserts designed to accommodate various performance requirements and installation methods. The installation method must be considered, as this will affect the type of Insert that can be used as well as the overall cost of the assembly. The two primary types of Inserts are those that are molded in and those installed after the molding process (post-mold).

Molded-in Inserts usually yield the highest performance, yet this form of installation is by far the most expensive. In addition, you run the risk of damaging the mold if the Insert is not properly positioned during the molding process. That can result in tens of thousands of dollars in lost profit.

Inserts installed with heat or ultrasonics after molding yield good performance at a fraction of the assembled cost of the molded-in Inserts. Post-mold installation is very efficient and eliminates the requirement of properly loading Inserts into a mold during the mold cycle. Typically, Inserts installed with heat yield the best combination of overall performance and lowest installed cost.

Self-tapping Inserts provide the best pull-out resistance for a post-mold Insert, yet the assembler has to be very careful about installing the Insert so that it is perfectly square to the hole or it will not mate well with the screw.

Expansion Inserts are designed for non-critical applications where ease of installation is the primary design criterion, not torque and pull-out resistance. Another low-cost option is press-in Inserts that are designed to reduce installation cost at a sacrifice of torque and pull-out performance.

## HOLE DESIGN GUIDELINES

Correct hole size is critical. Larger holes decrease performance, while smaller holes induce undesirable stresses and potential cracks in the plastic. Undersized holes may also result in flash at the hole edge. The Insert manufacturer's recommended hole size for the Insert must be adjusted if fillers are used in the plastic. If the filler content is 15% or more, it is suggested to widen the hole by 0.08mm (.003"), and if filler content is 35% or more, the suggested hole diameter increase is 0.15mm (.006").

Holes for post-mold Inserts should always be deeper than the length of the Insert. For self-tapping Inserts, use a minimum depth of 1.2 times the Insert length. For other Inserts, the recommended depth is the Insert length plus two thread pitches. The assembly screw should never bottom out on the hole, as jack-out would result.

Molded holes are preferable to drilled holes because of the strong, denser surface of the molded hole. Core pins used to mold the holes should be large enough to allow for shrinkage. For straight holes, the taper should not exceed a 1° included angle. Tapered holes should have an 8° included angle (see Figure 2).

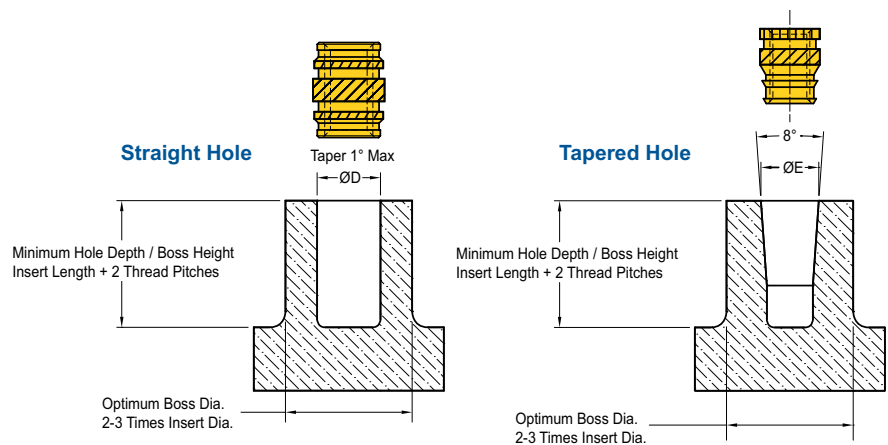


Figure 2. Molded holes are preferable to drilled holes because of the strong, denser surface of the molded hole. For straight holes, the taper should not exceed a 1° included angle, and tapered holes should have an 8° included angle.

Tapered holes reduce installation time and ensure proper alignment of the Insert to the hole. Easier release from the core pin is an additional benefit. Only tapered Inserts should be used in tapered holes. The disadvantage is that tapered Inserts are not symmetrical, and therefore must be oriented prior to installation.

Insert performance is affected by the plastic boss diameter and/or wall thickness. Generally, the optimum wall thickness or boss diameter is two to three times the Insert diameter, with the relative multiple decreasing as the Insert diameter increases. The plastic wall thickness has to be large enough to avoid bulging during installation and strong enough for the recommended assembly screw installation torque. Poor knit lines in the vicinity of the Insert will cause failures and reduced Insert performance.

Post-mold Inserts that are cold-pressed into the hole require larger boss diameters and/or wall thickness to withstand the greater stresses induced during installation. Installing the Inserts while the plastic is still warm after molding generally avoids problems.

## MATING COMPONENTS

The diameter of the clearance hole in the mating component is very important. The Insert and not the plastic must carry the load. The hole in the mating component must be larger than the outside diameter of the assembly screw but smaller than the pilot or face diameter of the Insert in order to prevent jack-out. If a larger hole in the mating component is required for alignment purposes, a headed Insert should be considered. Inserts should be installed flush (or no more than 0.13mm (.005") above the hole).

If the mating component is also plastic, the use of a Compression Limiter should be considered to maintain the preload of the threaded joint. In order for the Compression Limiter to work properly, it should abut the Insert so that the Insert, and not the plastic, carries the load.

Inserts with heads provide a larger bearing surface and a conductive surface if needed. High-load applications can benefit from locating the head opposite the load in a pull-through configuration (see Figure 3). Tapered Inserts should not be used in pull-through applications or in thin-walled bosses as this will cause cracking of the plastic.

### PULL-THROUGH CONFIGURATION

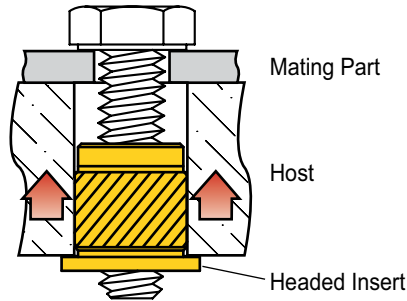
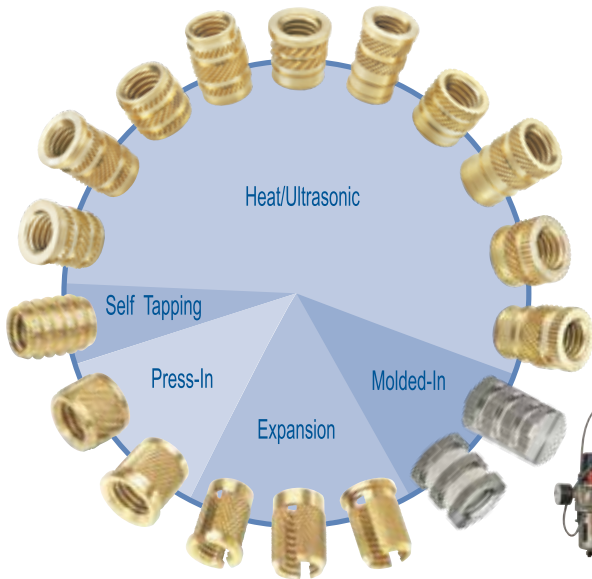


Figure 3. In high-load applications, consider locating the head of the Insert opposite the load to increase pull-out strength. Tapered Inserts should not be used in pull-through applications.



**SPIROL offers application engineering support and Insert Installation Equipment for the total assembly solution!**

**SPIROL** Application Engineers will review your application needs and work with your design team to recommend the best solution. One way to start the process is to select **Inserts in Plastic** in our **Optimal Application Engineering** portal at [www.SPIROL.com](http://www.SPIROL.com).

IATF 16949 Certified  
ISO 9001 Certified

## Technical Centers

### Americas

**SPIROL International Corporation**  
30 Rock Avenue  
Danielson, Connecticut 06239 U.S.A.  
Tel. +1 860 774 8571  
Fax. +1 860 774 2048

**SPIROL Shim Division**  
321 Remington Road  
Stow, Ohio 44224 U.S.A.  
Tel. +1 330 920 3655  
Fax. +1 330 920 3659

**SPIROL Canada**  
3103 St. Etienne Boulevard  
Windsor, Ontario N8W 5B1 Canada  
Tel. +1 519 974 3334  
Fax. +1 519 974 6550

**SPIROL Mexico**  
Avenida Avante #250  
Parque Industrial Avante Apodaca  
Apodaca, N.L. 66607 Mexico  
Tel. +52 81 8385 4390  
Fax. +52 81 8385 4391

**SPIROL Brazil**  
Rua Mafalda Barnabé Soliane, 134  
Comercial Vitória Martini, Distrito Industrial  
CEP 13347-610, Indaiatuba, SP, Brazil  
Tel. +55 19 3936 2701  
Fax. +55 19 3936 7121

### Europe

**SPIROL France**  
Cité de l'Automobile ZAC Croix Blandin  
18 Rue Léna Bernstein  
51100 Reims, France  
Tel. +33 3 26 36 31 42  
Fax. +33 3 26 09 19 76

**SPIROL United Kingdom**  
17 Princewood Road  
Corby, Northants  
NN17 4ET United Kingdom  
Tel. +44 1536 444800  
Fax. +44 1536 203415

**SPIROL Germany**  
Ottostr. 4  
80333 Munich, Germany  
Tel. +49 89 4 111 905 71  
Fax. +49 89 4 111 905 72

**SPIROL Spain**  
08940 Cornellà de Llobregat  
Barcelona, Spain  
Tel. +34 93 669 31 78  
Fax. +34 93 193 25 43

**SPIROL Czech Republic**  
Sokola Tůmy 743/16  
Ostrava-Mariánské Hory 70900  
Czech Republic  
Tel/Fax. +420 417 537 979

**SPIROL Poland**  
ul. Solec 38 lok. 10  
00-394, Warszawa, Poland  
Tel. +48 510 039 345

### Asia Pacific

**SPIROL Asia Headquarters**  
1st Floor, Building 22, Plot D9, District D  
No. 122 HeDan Road  
Wai Gao Qiao Free Trade Zone  
Shanghai, China 200131  
Tel. +86 21 5046 1451  
Fax. +86 21 5046 1540

**SPIROL Korea**  
160-5 Seokchon-Dong  
Songpa-gu, Seoul, 138-844, Korea  
Tel. +86 (0) 21 5046-1451  
Fax. +86 (0) 21 5046-1540

e-mail: [info@spirol.com](mailto:info@spirol.com)

**SPIROL.com**