

SPIROL®

HIGH PERFORMANCE CARD LOCK & EJECTOR CLIP PINS

SPIROL® Series 880 Coiled Spring Pins

The flexibility of the **Series 880 Coiled Spring Pin** makes it the ideal hinge pin for PC board card lock and ejector mechanisms. The Coiled Pin simplifies the design and manufacturing processes. The quality of the hinge is unsurpassed by any other fastening method due to the low insertion force and compression of the pin during and after installation. The pin's uniform radial spring force results in a controlled hinge movement that remains consistent throughout the life of the assembly.

The Coiled Pin offers a wide range of benefits over other types of components used as hinge pins.

Features/Benefits:

Flexible

- Unlike any other pin, the Coiled Pin absorbs forces to preserve joint integrity and prevent cracked hinges throughout the life of the assembly.
- The Coiled Pin conforms to the widest hole tolerance of any press-fit pin in the industry, and does not damage the plastic to retain itself.

Self Retaining

- No secondary operations are required for retention. Simply insert the pin into the hole.

Corrosion Resistant

- The Coiled Pins are manufactured from 302/304 stainless steel so they will not rust in the assembly.

Conducive for Manual or Automatic Installation

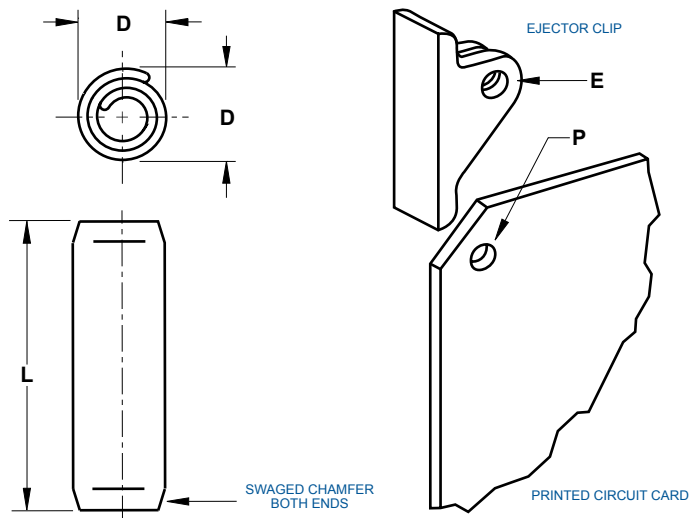
- Regardless of how the pin installed, the pin installs easily with low insertion forces. Orientation is not required.



Can also be used
as a retaining pin.



High Performance Card Lock & Ejector Clip Pins



U.S.A. Spirol International Corporation
30 Rock Avenue
Danielson, Connecticut 06239
Tel. +1 (1) 860.774.8571
Fax. +1 (1) 860.774.2048

Spirol West Inc.
1950 Compton Avenue, Unit 111
Corona, California 92881-6471
Tel. +1 (1) 951.273.5900
Fax. +1 (1) 951.273.5907

**Spirol International Corporation
Shim Division**
321 Remington Road
Stow, Ohio 44224
Tel. +1 (1) 330.920.3655
Fax. +1 (1) 330.920.3659

Spirol Distribution
(For Distributor Customers)
30 Rock Avenue
Danielson, Connecticut 06239
Tel. +1 (1) 860.774.8571
Fax. +1 (1) 860.774.0487

Canada Spirol Industries, Ltd.
3103 St. Etienne Boulevard
Windsor, Ontario
Canada N8W 5B1
Tel. +1 (1) 519.974.3334
Fax. +1 (1) 519.974.6550

Mexico Spirol México, S.A. de C.V.
Carretera a Laredo KM 16.5 Interior E
Col. Moisés Saenz
Apodaca, N.L. 66613 México
ó Apdo. Postal 151 de Apodaca, N.L.
Tel. +52 (01) 81 8385 4390
Fax. +52 (01) 81 8385 4391

Europe Spirol Industries, Ltd.
Princeton Road
Corby, Northants
England NN17 4ET
Tel. +44 (0) 1536 444800
Fax. +44 (0) 1536 203415
(UK Distributors: Tel. 0800 3890034)

Spirol SAS
Rue Henri Rol Tanguy
Z.A. Les Naux
51450 Bétheny - Reims
France
Tel. +33 (0) 3 26 36 31 42
Fax. +33 (0) 3 26 09 19 76

Spirol GmbH
Brienner Strasse 9
80333 Munich
Germany
Tel. +49 (0) 931 454 670 74
Fax. +49 (0) 931 454 670 75

**Asia Pacific Spirol International Engineered
Fastener Trading Co. Ltd.**
No. 11 Xi Ya Rd. North
Section A, 1F, Building 14
Wai Gao Qiao Free Trade Zone
Shanghai, China 200131
Tel. +86 (0) 21 5046-1451/1452
Fax. +86 (0) 21 5046-1540

e-mail: info@spirol.com

DIMENSIONAL DATA — INCH

Nominal Diameter	D Pin Diameter		E Recommended Hole Size in Ejector Clip	P Recommended Hole Size in PC Card	L Standard Lengths Tolerances ± .010				
	Min.	Max.			.250	.312	.500	.750	1.000
.062	.067	.073	.062/.065	.066 minimum					
.094	.099	.106	.094/.097	.098 minimum					
.125	.131	.139	.125/.129	.131 minimum					
.156	.163	.172	.156/.160	.162 minimum					

DIMENSIONAL DATA — METRIC

Nominal Diameter	D Pin Diameter		E Recommended Hole Size in Ejector Clip	P Recommended Hole Size in PC Card	L Standard Lengths Tolerances ± 0.25				
	Min.	Max.			6	8	12	20	24
1.5	1.62	1.75	1.5/1.6	1.63 minimum					
2.5	2.65	2.82	2.5/2.6	2.63 minimum					
3	3.15	3.35	3/3.1	3.15 minimum					
4	4.2	4.45	4/4.12	4.17 minimum					

To Order: CLDP, Nominal Diameter x Length, Series Number

Example: CLDP .062 x .500 SER 880

SPIROL Application Engineers will review your application needs and work with your design team to recommend the best solution. One way to start the process is to select Pinning Applications in our Optimal Application Engineering portal at www.SPIROL.com.